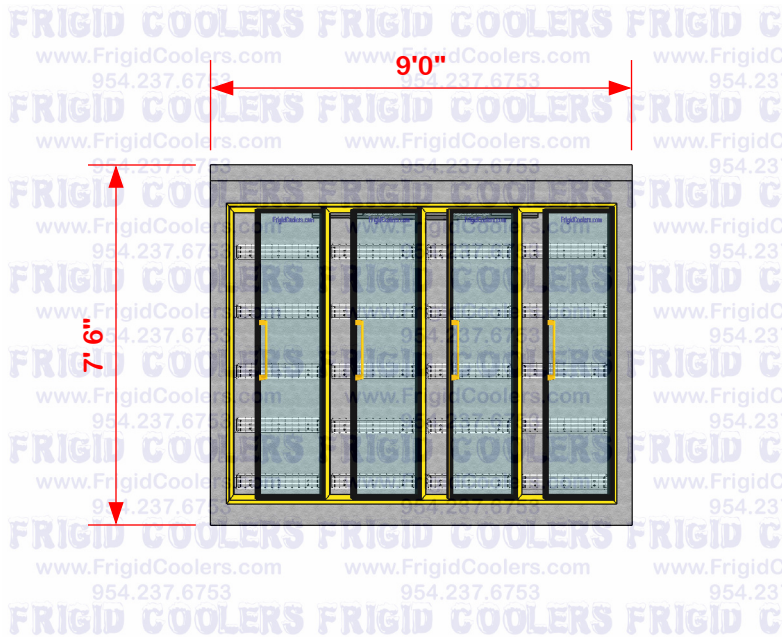


FRONT VIEW



Delivered to your store for less money than conventional reach-ins.

Offered in models from 2 to 25 glass doors.

Available in glass door widths of 24", 26", 28" and 30" and heights of 75" and 79".

Amount and size of glass doors will determine overall length of reach-in.

Specifications:

Reach In Cooler with 4 Glass Doors

Model No. CRI4G39

Package includes the following:

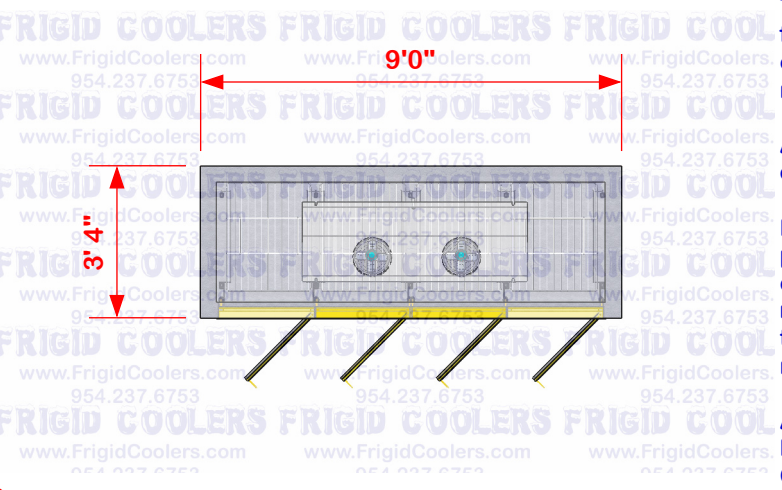
- (1) Reach Cooler Size: 3'4" X 9'0" X 7'6" High
- Holding Temperature 35°F
- Constructed of 26 gauge Stucco-Embossed Acrylume with 4" Insulation (Walls & Ceiling)
- 4" Vinyl screed for securing walls to floor
- (1) 3/4 HP Remote Indoor Condenser/Compressor with Drier & Sight Glass, Voltage 208-230/60/1
- (1) Reach In Evaporator with Thermostatic Expansion Valve, (2) Fans, Voltage 115/60/1
- (1) Adjustable Thermostat
- (1) Dial Thermometer
- (4) Glass Doors 24" X 75" Gemtron Tempered Two-pane Low-E glass coat and Gas-filled
- (5) High output T-8 electronic lighting
- Anti-condensate frame and mullion heaters
- (1) Pre-wired and fully integrated energy control system
- Four post shelving system with adjustable epoxy coated steel shelves
- (20) Heavy-duty 24" x 27" deep shelves with price tag molding
- Reliable door hinging system, hold open cam and one-time adjustment torque rod
- Easy-clean coved frames
- Stainless steel trim
- Side-mount, easy to change door handles
- Reliable door hinging system, hold open cam and one-time adjustment torque rod
- Available in a variety of standard finishes smooth or serrated, and in Silver, Black or Gold Tone
- NSF-certified door, frame and shelving systems
- UL-certified door and frame
- Glass Doors meet New 2009 Federal Law Requirements

• Call for additional information on the following options:

Remote Outdoor Condenser / Compressor

Freezer unit with holding Temperature 0°F, -10°F or Xtra Low -20°F

TOP VIEW



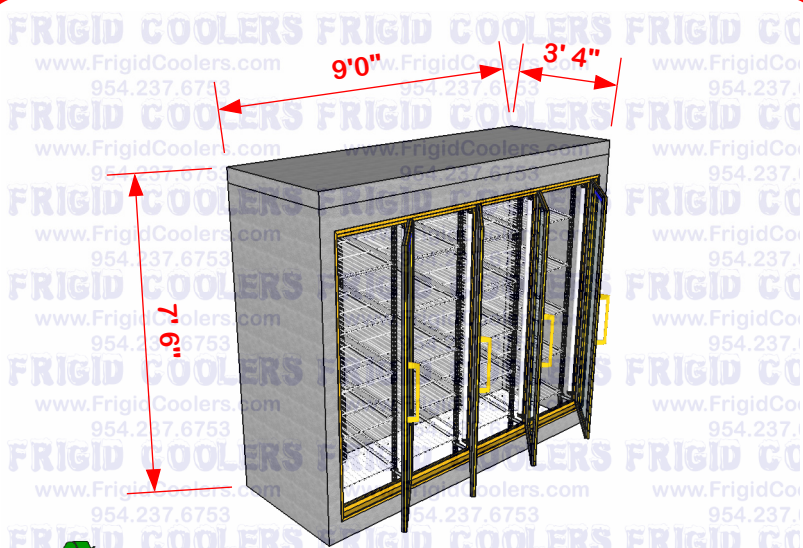
Twice the cubic footage of conventional reach-ins.

Available with floor or without floor.

Refrigeration precisely engineered to maintain temperature requirements.

Available in Coolers, Freezers or Combinations.

SIDE VIEW



FRIGID COOLERS LLC

15751 Sheridan Street - Suite 115
 Ft. Lauderdale, FL 33331
 Phone: 954-237-6753
 Fax: 954-237-6302
 Email: sales@frigidcoolers.com
 www.FrigidCoolers.com

This drawing is property of Frigid Coolers LLC. Copyright is reserved by Frigid Coolers LLC and the drawing is issued on the condition that is NOT copied, reproduced, retained or disclosed to any unauthorized person, either wholly or in part without consent in writing from Frigid Coolers LLC.



All materials are 100% Recyclable