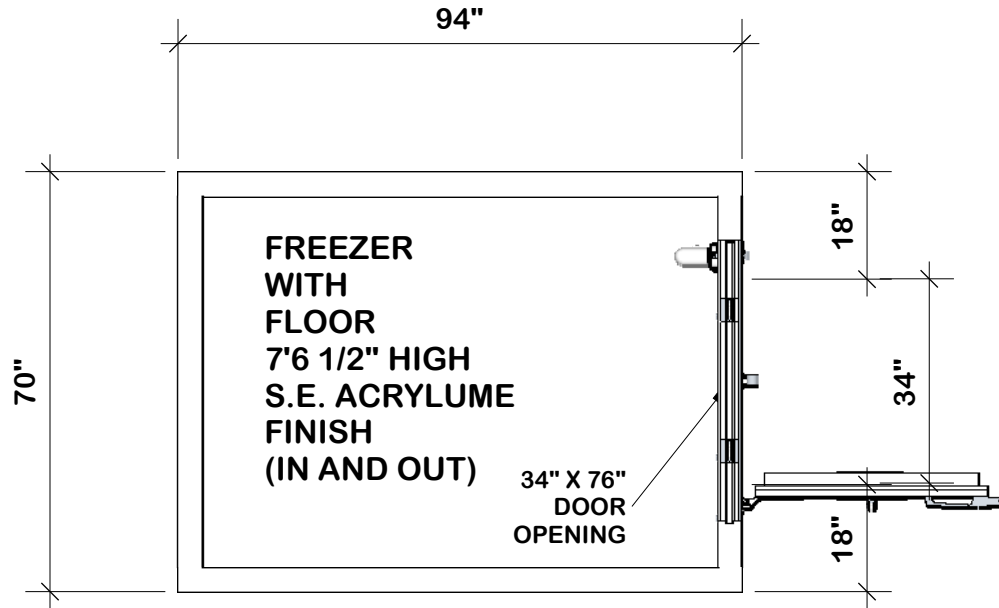


**TOP VIEW**



This is an approval drawing. Fabrication will not begin until Frigid Coolers receives the drawing, SIGNED and DATED as Approved.

DATE SENT: \_\_\_\_\_

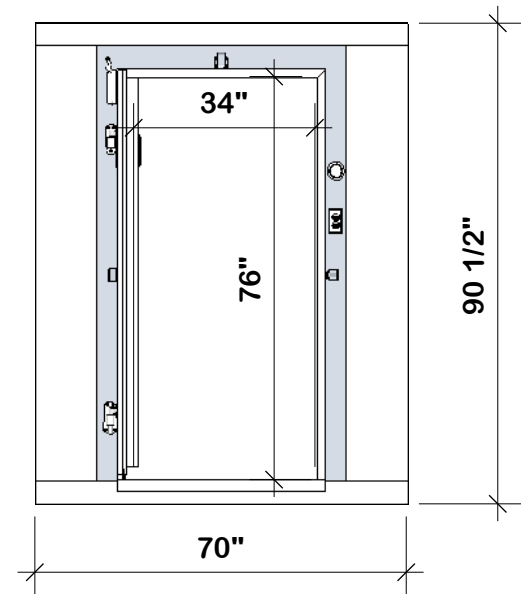
SIGNED BY: \_\_\_\_\_

PRINT NAME: \_\_\_\_\_

DATE APPROVED: \_\_\_\_\_

Thank You,  
Frigid Coolers - FAX: 954-237-6302  
EMAIL: sales@frigidcoolers.com

**FRONT VIEW**



Job Number:

Scale:

Description:

3/8" = 1'0"

FREEZER WITH FLOOR. 7'6 1/2" HIGH, S.E. ACRYLUME FINISH, LEFT HAND HINGE

**FRIGID COOLERS**

www.FrigidCoolers.com

954.237.6753

15751 Sheridan Street - Suite 115  
Ft. Lauderdale, FL 33331  
Phone: 954-237-6753  
Fax: 954-237-6302  
Email: sales@frigidcoolers.com

This drawing is property of Frigid Coolers LLC. Copyright is reserved by Frigid Coolers LLC and the drawing is issued on the condition that is NOT copied, reproduced, retained or disclosed to any unauthorized person, either wholly or in part without consent in writing from Frigid Coolers LLC.