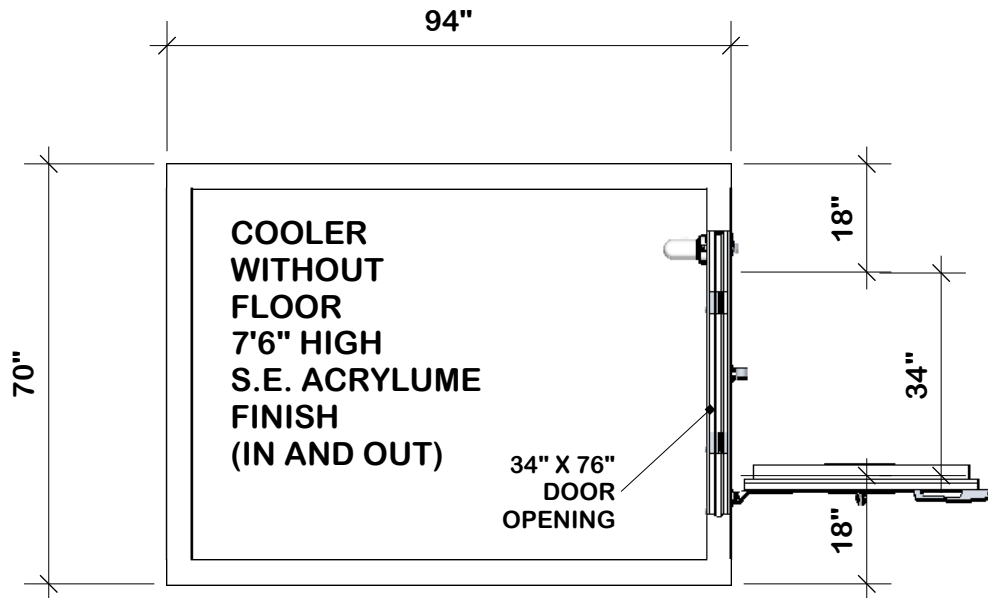


TOP VIEW



This is an approval drawing. Fabrication will not begin until Frigid Coolers receives the drawing, SIGNED and DATED as Approved.

DATE SENT: _____

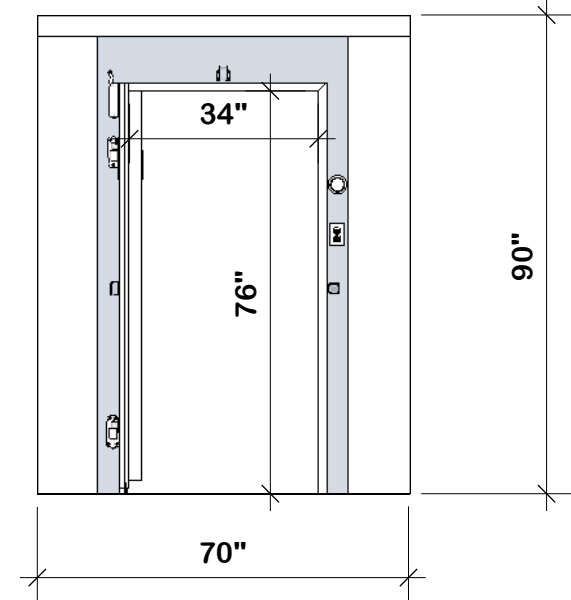
SIGNED BY: _____

PRINT NAME: _____

DATE APPROVED: _____

Thank You,
Frigid Coolers - FAX: 954-237-6302
EMAIL: sales@frigidcoolers.com

FRONT VIEW



Job Number:

Scale:

Description:

3/8" = 1'0"

COOLER WITHOUT FLOOR, 7'6" HIGH, S.E. ACRYLUME FINISH, LEFT HAND HINGE

FRIGID COOLERS

www.FrigidCoolers.com

954.237.6753

15751 Sheridan Street - Suite 115
Ft. Lauderdale, FL 33331
Phone: 954-237-6753
Fax: 954-237-6302
Email: sales@frigidcoolers.com

This drawing is property of Frigid Coolers LLC. Copyright is reserved by Frigid Coolers LLC and the drawing is issued on the condition that is NOT copied, reproduced, retained or disclosed to any unauthorized person, either wholly or in part without consent in writing from Frigid Coolers LLC.