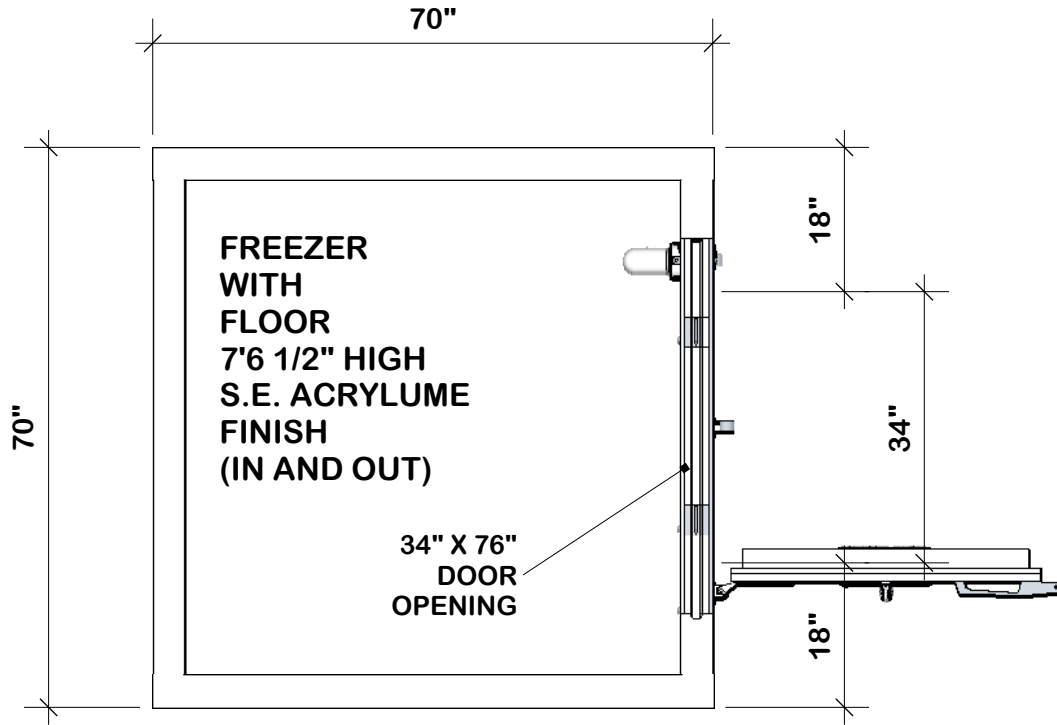


TOP VIEW



This is an approval drawing. Fabrication will not begin until Frigid Coolers receives the drawing, SIGNED and DATED as Approved.

DATE SENT: _____

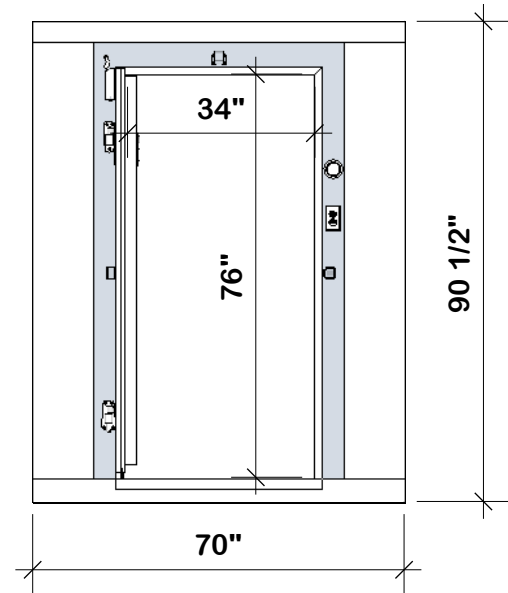
SIGNED BY: _____

PRINT NAME: _____

DATE APPROVED: _____

Thank You,
 Frigid Coolers - FAX: 954-237-6302
 EMAIL: sales@frigidcoolers.com

FRONT VIEW



Job Number:

Scale:

Description:

1/2" = 1'0"

FREEZER WITH FLOOR, 7'6 1/2" HIGH, S.E. ACRYLUME FINISH, LEFT HAND HINGE

FRIGID COOLERS

www.FrigidCoolers.com

954.237.6753

15751 Sheridan Street - Suite 115
 Ft. Lauderdale, FL 33331
 Phone: 954-237-6753
 Fax: 954-237-6302
 Email: sales@frigidcoolers.com

This drawing is property of Frigid Coolers LLC. Copyright is reserved by Frigid Coolers LLC and the drawing is issued on the condition that is NOT copied, reproduced, retained or disclosed to any unauthorized person, either wholly or in part without consent in writing from Frigid Coolers LLC.